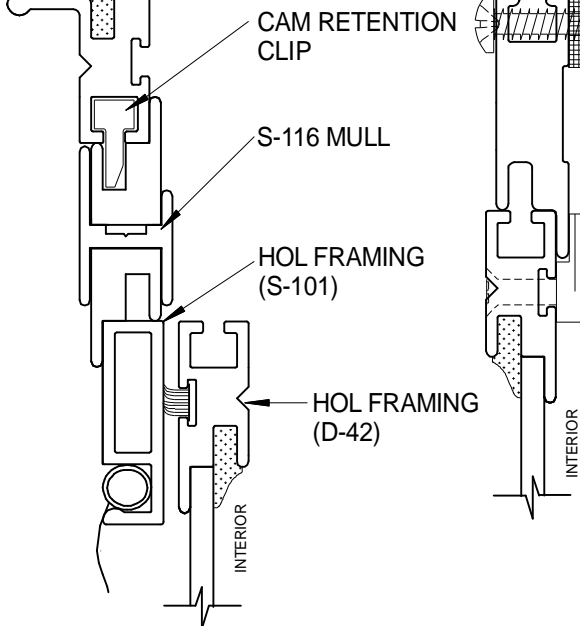


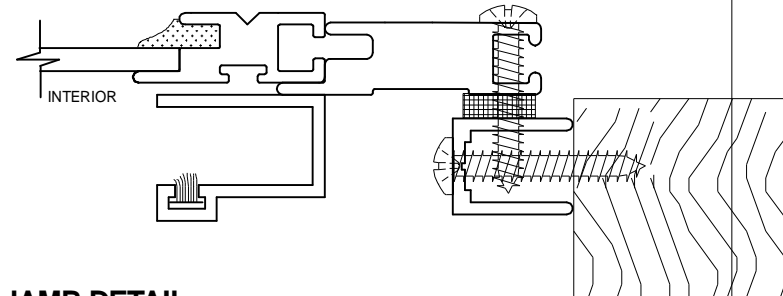
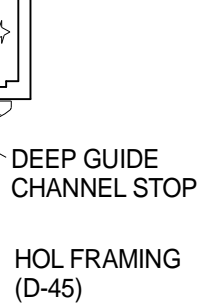
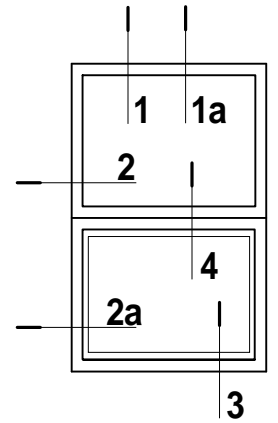
### 4 MUNTIN DETAIL

SCALE: FULL



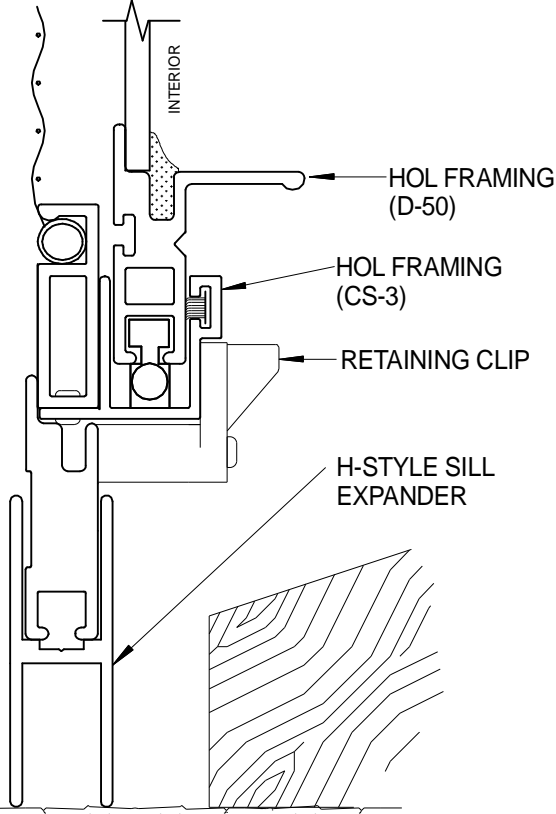
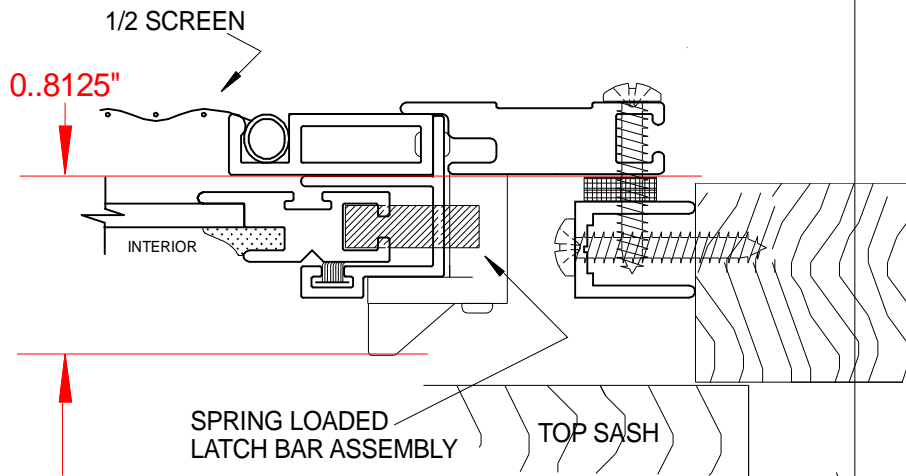
### 1 HEAD DETAIL

SCALE: FULL



### 2 JAMB DETAIL

SCALE: FULL

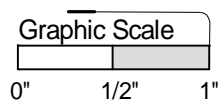


### 3 SILL DETAIL

SCALE: FULL

### 2a JAMB DETAIL

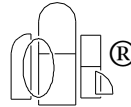
SCALE: FULL



PRODUCT  
**HISTORIC ONE LITE - OPERATING • HOL-OP-TOR**  
**TOP OUTSIDE REMOVABLE**  
**WITH SCREEN EASTERN CASING**  
 11111 CANAL ROAD • CINCINNATI, OH 45241 • PH: 800-445-5411, 513-559-1212 • FAX: 513-559-1883 • www.alliedwindow.com • info@alliedwindow.com

DWG. NO.

# H-7-E



**Allied Window**  
 Performance Panels®