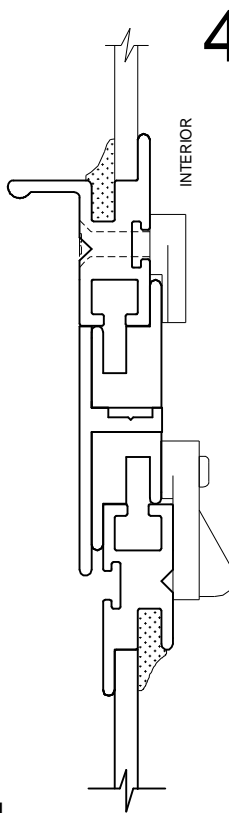
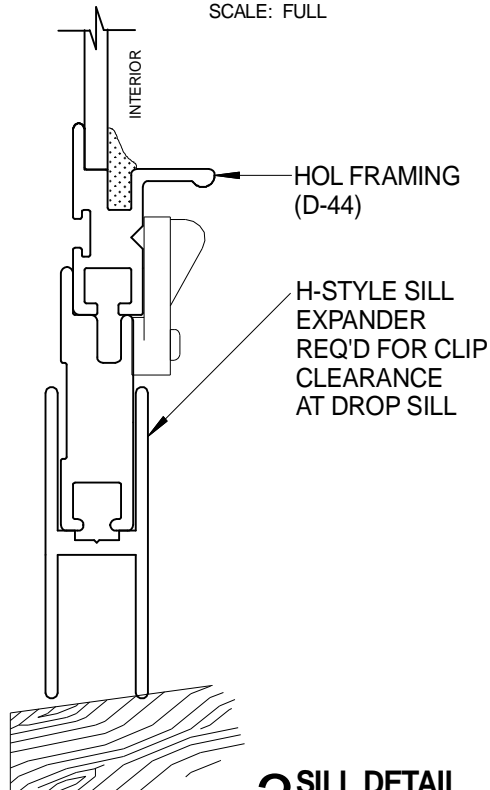
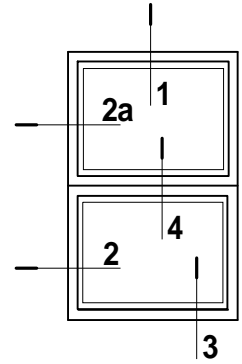


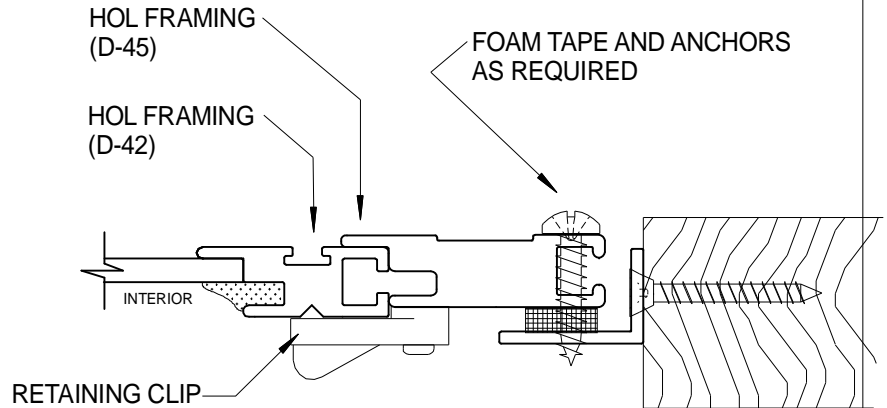
**1,2a**  
**HEAD & JAMB DETAIL**  
SCALE: FULL



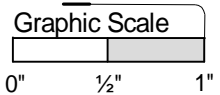
**4** **MUNTIN DETAIL**  
SCALE: FULL



**3** **SILL DETAIL**  
SCALE: FULL



**2** **JAMB DETAIL**  
SCALE: FULL

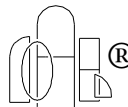


NOTE: INTERCHANGEABLE SCREEN AVAILABLE

PRODUCT  
HISTORIC ONE LITE • HOL-C  
TOP OUTSIDE / BOTTOM INSIDE REMOVEABLE  
INVISIBLE CLIPS TOP EASTERN CASING  
11111 CANAL ROAD • CINCINNATI, OH 45241 • PH: 800-445-5411, 513-559-1212 • FAX: 513-559-1883 • www.alliedwindow.com • info@alliedwindow.com

DWG. NO.

**H-9a**



**Allied Window**  
Performance Panels®