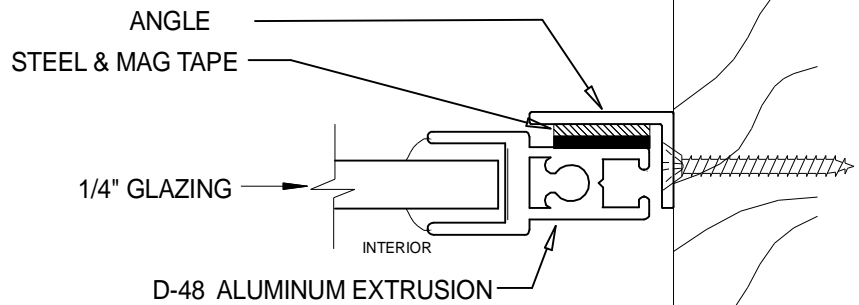
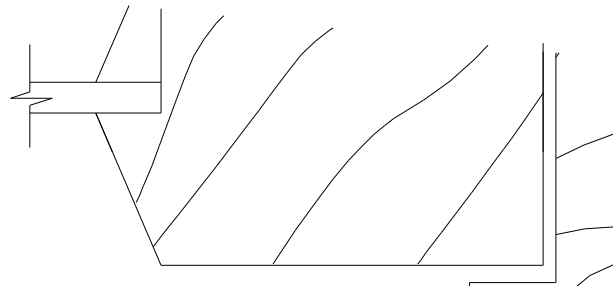
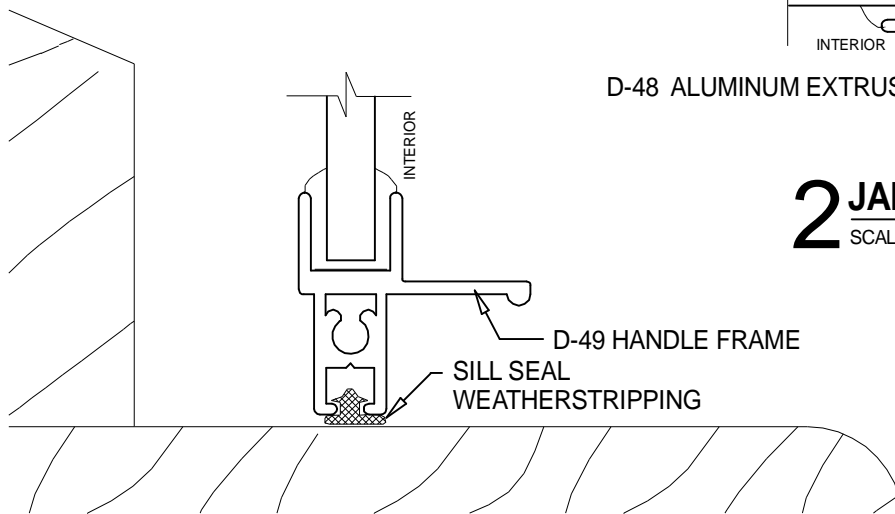


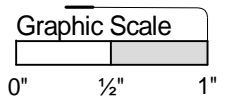
**1 HEAD DETAIL**  
SCALE: FULL



**2 JAMB DETAIL**  
SCALE: FULL

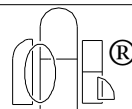


**3 SILL DETAIL**  
SCALE: FULL



PRODUCT **MONUMENTAL \* MOL**  
D-48 D-49  
NESTED

DWG. NO.  
**M-6-M-N**



**Allied Window**  
Performance Panels®

11111 CANAL ROAD • CINCINNATI, OH 45241 • PH: 800-445-5411, 513-559-1212 • FAX: 513-559-1883 • www.alliedwindow.com • info@alliedwindow.com