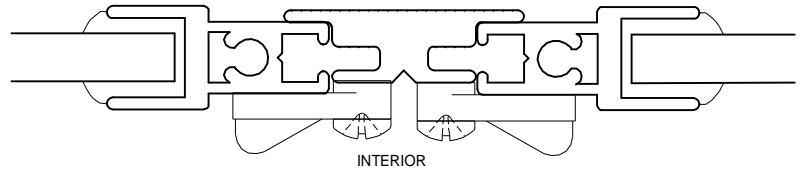
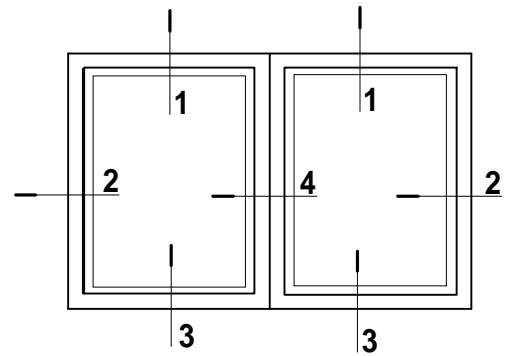
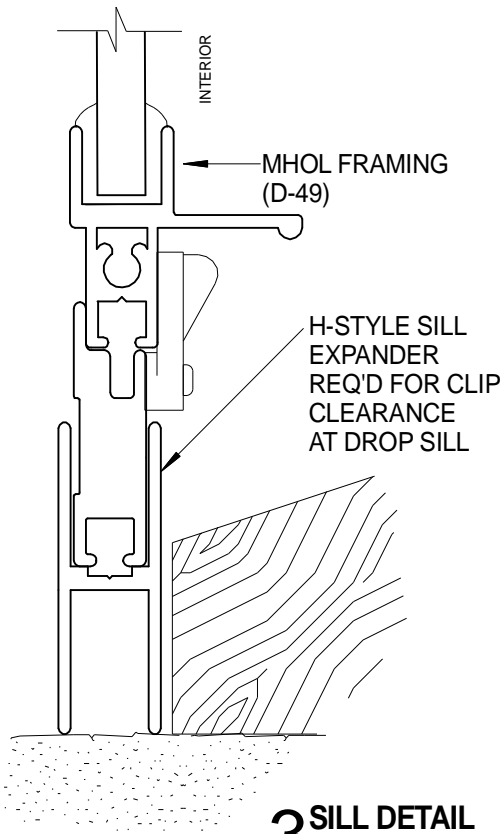


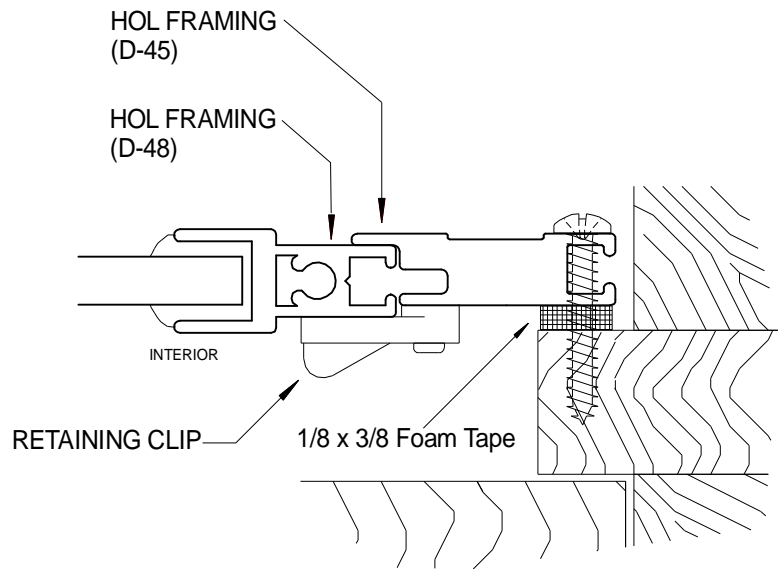
1 HEAD DETAIL
SCALE: FULL



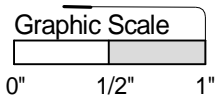
4 MUNTIN DETAIL
SCALE: FULL



3 SILL DETAIL
SCALE: FULL



2 JAMB DETAIL
SCALE: FULL

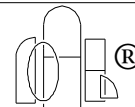


NOTE: INTERCHANGEABLE SCREEN AVAILABLE

PRODUCT
MHOL-C with VERTICAL FRAME MUNTIN
TWO REMOVABLE PANELS

DWG. NO.

MHOL-C V



Allied Window
Performance Panels®

11111 CANAL ROAD • CINCINNATI, OH 45241 • PH: 800-445-5411, 513-559-1212 • FAX: 513-559-1883 • www.alliedwindow.com • info@alliedwindow.com