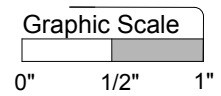
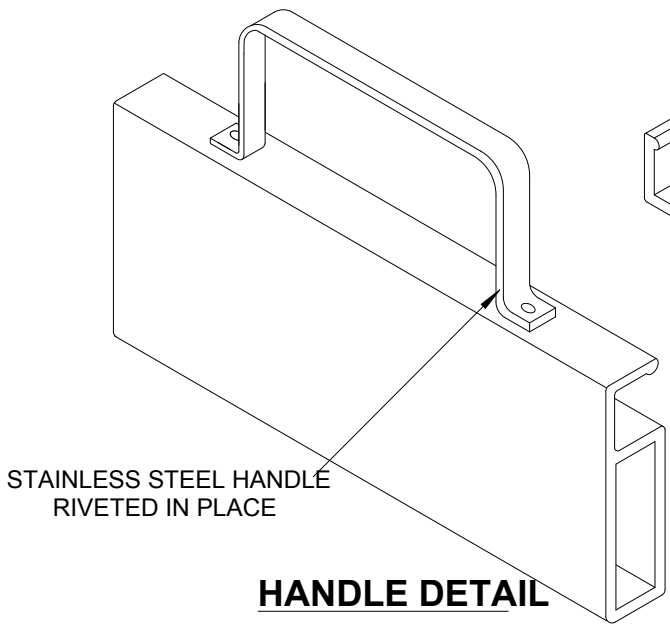
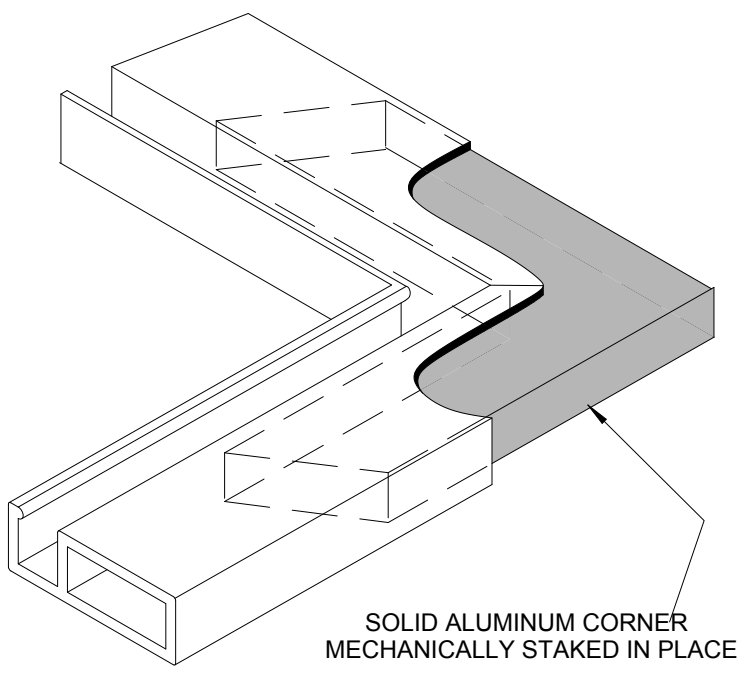
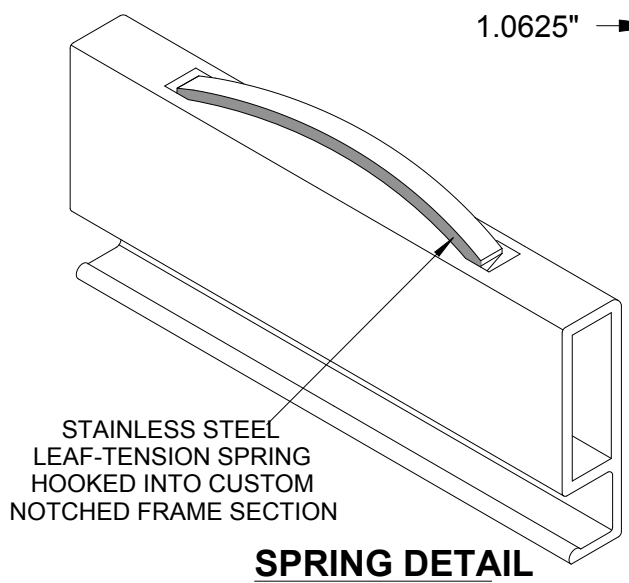


1 JAMB DETAIL
SCALE: FULL
HEAD and SILL SIMILAR



PRODUCT
SCREEN
S-102 FRAMING

DWG. NO.
1-1

Allied Window
Performance Panels™