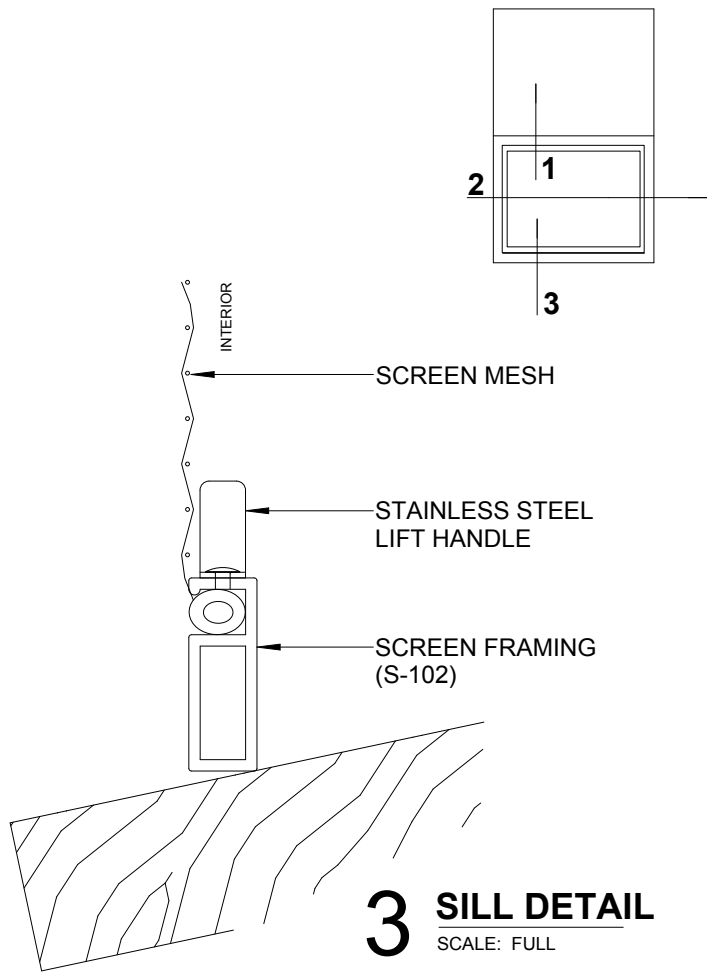
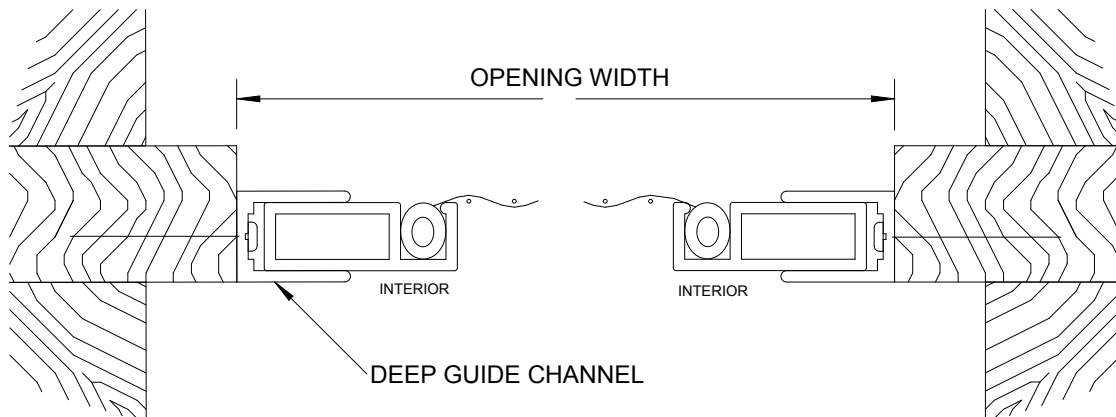


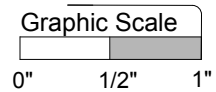
1 HEAD DETAIL
SCALE: FULL



3 SILL DETAIL
SCALE: FULL



2 JAMB DETAIL
SCALE: FULL



PRODUCT
1/2 SCREEN - DROP-IN
S-102 FRAMING

DWG. NO.
I-3

Allied Window
Performance Panels™