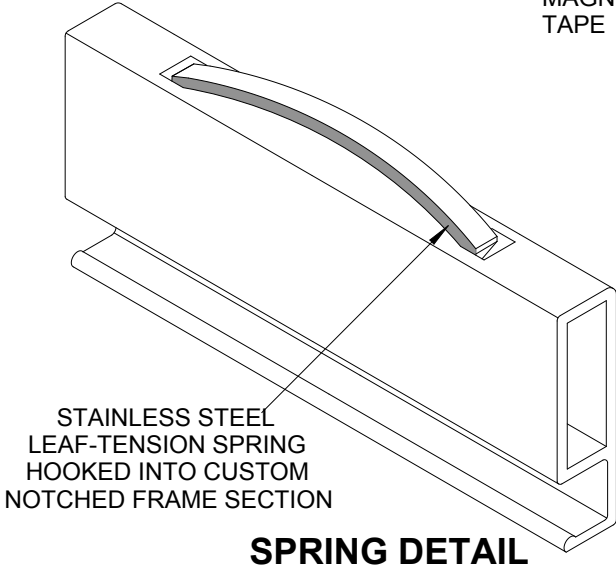
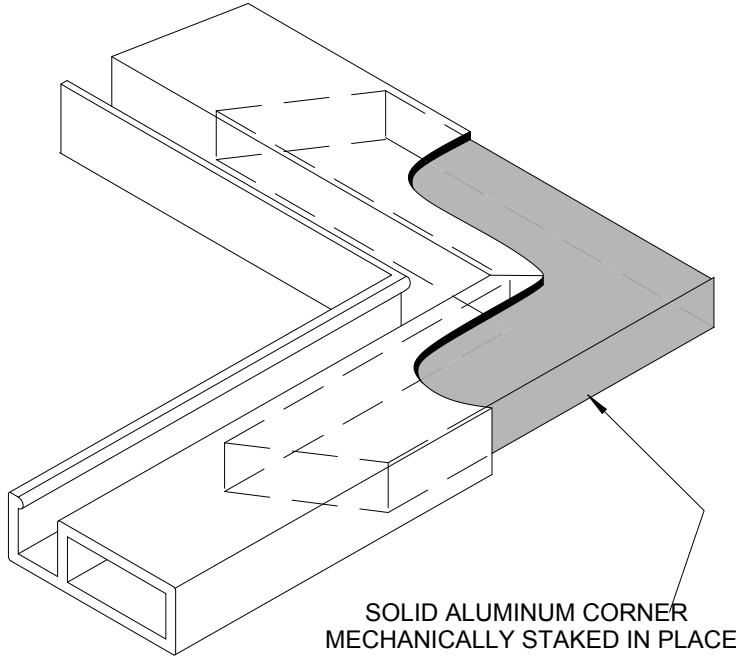


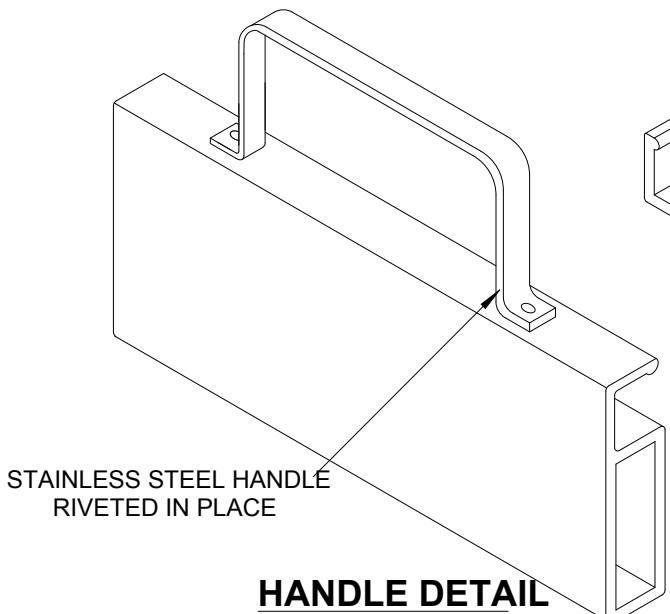
**1 JAMB DETAIL**  
 SCALE: FULL  
 HEAD and SILL SIMILAR



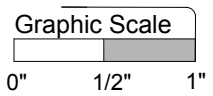
**SPRING DETAIL**



**CORNER DETAIL**



**HANDLE DETAIL**



PRODUCT  
**MAGNETIC SCREEN**  
**S-102 FRAMING**

DWG. NO.  
**1-8**

**Allied Window**  
**Performance Panels™**